



MASTERS IN MANIFOLD SOLUTIONS



YOUR PERFECT PARTNER

— For supply of manifolds, instrument valves, monoflanges, sunshades, electrical and steam heated instrument housings and other instrumentation and enclosure products.

No matter where you are in the world, Multi Instruments is your perfect partner for:

- Turnkey Solutions
- Capital Projects
- Specification Development
- Pre-FEED Design Assistance
- Special Designs

Multi Instruments b.v., **founded in 1988**, is a fully Dutch company with its headquarters in Gorinchem and its manufacturing plant in Schiedam (founded in 1955).

GLOBAL SUPPORT

In addition to Multi Instruments world class manufacturing and engineering facilities located in the Netherlands, Multi Instruments maintains regional warehousing and sales support offices in:

- Sherwood Park (Alberta), Canada
- Moscow, Russia

Additionally, we have an extensive network of highly qualified local business partners on 6 continents.

WORLD CLASS MANUFACTURING

Using only the highest quality European sourced materials Multi Instruments manufactures:

- Instrumentation Manifolds & Needle Valves
- Close Couple and Monoflange Solutions
- Winterization and Freeze Protection
- Sun and Heat Protection





— Multi Instruments products are designed, manufactured and fully pressure tested according to the most stringent standards and reliability.

MANUFACTURING EXCELLENCE

— Multi Instruments manifolds and valves have been designed and built using only the highest quality European materials and latest industry standards since the founding of the factory in 1955.

All manifolds and valves use our unique free-floating stem tip and metal seat design to ensure long term reliability over many years and process conditions ranging from simple fluids to the harshest industrial chemicals.

Standard models operate from -50°C (-58°F) to $+450^{\circ}\text{C}$ ($+842^{\circ}\text{F}$) and up to a working pressure of 690 bar (10,000 psi).

Availability in almost any material from our standard 316/L NACE and special materials such as: Duplex, Super Duplex, Alloy 400, Alloy C276, Alloy 825, Alloy 625 & Titanium.



OPTIONAL SERVICES

- PMI Testing
- Cleaning for Oxygen Services
- Fugitive Emission Testing
- Car Sealing Facility Valve Heads
- Technical Passport (Russia)

GLOBAL STANDARDS

Multi Instruments maintains ISO 9001:2015 and ISO 14001:2015 certifications.

We offer solutions suitable for use anywhere in the world, including:

- ATEX and PED
- CSA (UL) and CRN
- GOST (TR-CU EAC)
- ISO / API / ASME



INSTRUMENT AND GAUGE VALVES

— Multi Instruments supplies a wide range of all needle type, hand operated valves, multiport valves, gauge/Isovent valves and root valves. Suitable for a wide range of pressure gauges and pressure transmitters with threaded process and instrument connection.

NV01 & NV02 NEEDLE VALVES

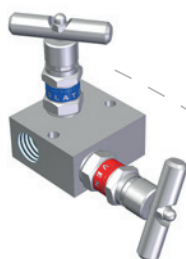
- NV01 female - female connection
- NV02 male - female connection



— NV01 / NV02
Needle valve



— MV01 / MV02
Multiport valve

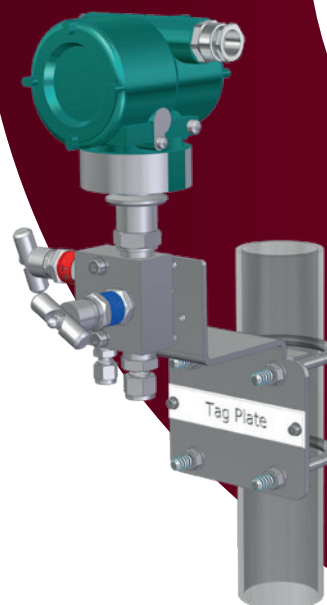


— IV01
Isovent valve



— **Root valves are also available in above mentioned models.**

By substituting the instrumentation needle type isolation valve for a fire safe primary needle type isolation valve (OS&Y).



— IV01 2 valve manifold + MB20x40 2" pipe bracket

GV02 GAUGE VALVE

(with internal bleed screw)

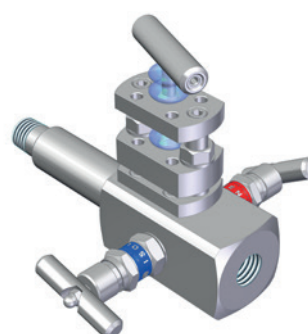
MV01 & MV02 MULTIPORT VALVES

IV01, IV02 & IV03 ISOVENT GAUGE VALVES

- IV01 remote style 2 valve
- IV02 direct to process 2 valve
- IV03 direct to process 2 valve (2x output)



— IV02 2 valve (large bore)

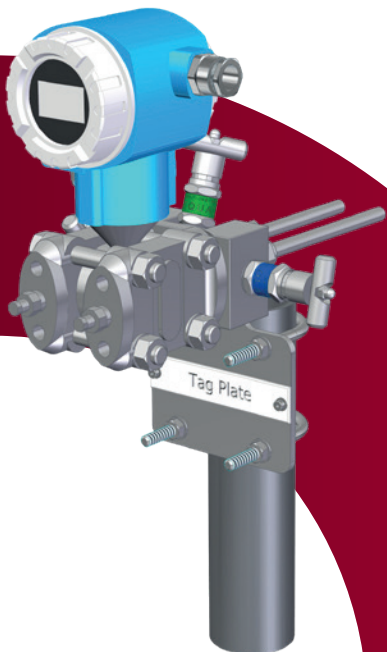


WIDE RANGE OF MANIFOLDS

— Multi Instruments mounting plate design is a significant improvement from traditional transmitter brackets. The mounting plate allows technicians to replace a transmitter without accessing piping valves and without disconnecting tubing lines.

DIRECT MOUNTED MANIFOLDS MP21D, MD31D, MD51D AND MD55D

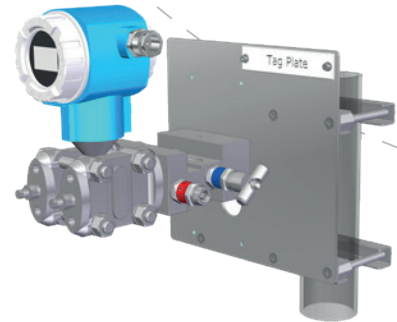
For an economical way of mounting pressure and differential pressure transmitters. Commonly used in **NON-heated applications**. Stainless steel 2"-pipe brackets available.



— MD31D 3 valve manifold with MB2041 bracket



— MD51D 5 valve manifold with MB2047 bracket



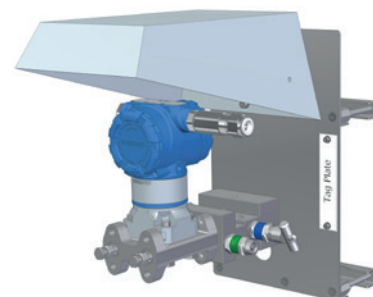
— B2 model mounting plate with tagplate

T, H MODEL AND 'FLAT MODEL' MANIFOLDS

For mounting onto base plate (Shell MESC style) and heated assemblies like the modular body enclosure, PS-1 full enclosure system or GRP full enclosure.

2, 3, 4, 5 VALVE AND DOUBLE BLOCK INSTRUMENT MANIFOLDS

- Instrument mounting types including DIN19213/ IEC61518 and Emerson Process Integral Mount/ Coplanar style
- Thread sizes from 1/4" to 1/2"
- Thread types include BSP and NPT
- Available in winterizing and non-winterizing configurations
- Available in any desired flow pattern for flow, level or any other DP or gauge pressure application



— A2 model mounting plate with sunshade

MONOFLANGES CLOSE COUPLED SOLUTIONS

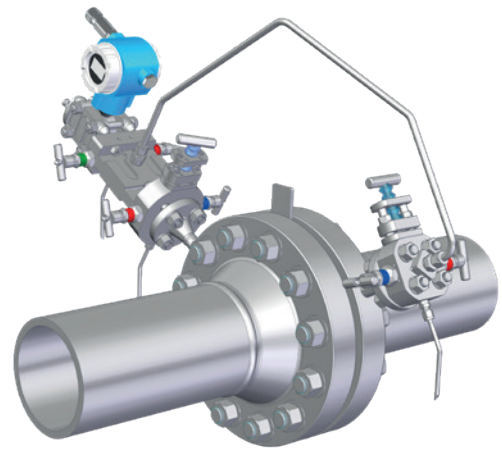
– Close Coupling allows users to **drastically improve the efficiency and cost** of their pressure or differential pressure transmitter installations. At the same time safety and reliability are improved by **reducing potential leakage** due to emissions, breakage or component failure.

STATIC PRESSURE

Solutions include the MP00 Monoflange for threaded connection static pressure transmitters and gauges. The MP21, MP22 & MP23 models can be used for Dual Head Gauge Pressure, Direct Mounted, or Coplanar Style / Integral Mount.

DIFFERENTIAL PRESSURE

Solutions include the high pressure side mounted MD41, MD42, MD59 and MD69, combined with a low pressure side mounted MP00 monoflange, enables users to install any DP device with only one tubing connection while still allowing maintenance and calibration in place.



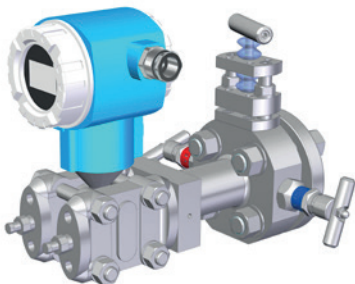
– MD41 & MP00 - DP / Flow measurement

REMOTE SEAL

MP01 and MP00 double flange models can be configured to allow nearly any process flange to mate seamlessly with any remote seal interface, and include flushing and drain ports. This allows the end user full functionality in a substantially smaller footprint.

SEVERE SERVICE (LARGE BORE)

All Multi Instruments close couple solutions can be offered in a large bore format designed for severe service applications including high viscosity fluids such as liquid asphalt or applications with entrained solids such as oilsands emulsion.



– MP21 monoflange



– MP22 with sunshade



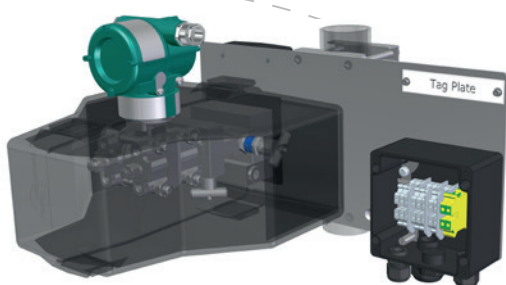
– MP00 large bore

HEATED ENCLOSURE

BODY ENCLOSURE

— Multi Instruments offers an industry unique solution for instrumentation winterization. By using a standard mounting plate, manifolds and heaters designed and manufactured by Multi Instruments, we can offer a turnkey package.

Simply inform Multi Instruments the type of transmitter, manifold configuration, and your low temperature specification, for a ready-made solution.

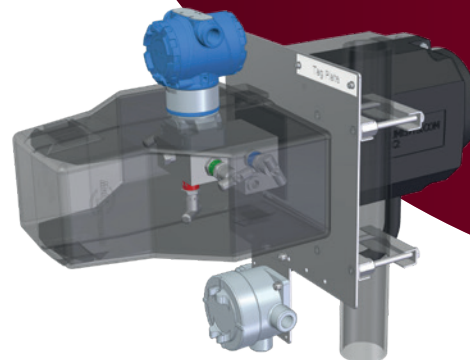


— Electrical heated Body Enclosure
Europe, ASIA and EAC regions



— Lower your installation costs!

By utilizing Multi Instruments turnkey design and assembly capabilities, costs can be reduced by as much as 30% vs generic “box and space heater” designs.



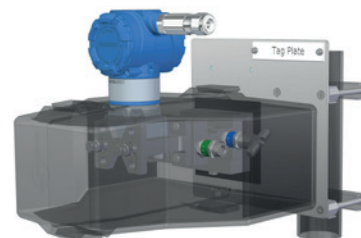
— Electrical heated Body Enclosure
North America / Canada style

REDUCED POWER CONSUMPTION, IMPROVED COLD WEATHER RELIABILITY

The key to Multi Instruments approach is the use of the industry unique contact heater design. By attaching the heater directly to the manifold, the heat transfer is vastly improved, allowing extreme cold weather reliability with only a 29 or 48 Watt output. This globally certified heater operates down to -60°C (-76°F) ambient with ATEX, CSA(US), and GOST(EAC) certifications and can be installed in any hazardous area.

BODY ENCLOSURES DESIGN

The body enclosure consists of mirror image halves, made from a flame retardant, anti-static and impact resistant synthetic material called Nyrin 2000® that is precision fit for any standard transmitter. With snap locks and slip-on attachment, installation and removal is quick and easy and allows full access to the manifold for maintenance and operation. When equipped with a 48W heater or steam block and optional PUR insulation, the body enclosure is rated and certified for operation at -45°C (-49°F) ambient.



— Steam heated Body Enclosure



HEATED ENCLOSURE

FULL ENCLOSURE PS-1

— Multi Instruments offers an industry unique solution for instrumentation winterization. By using a standard mounting plate, manifolds and heaters designed and manufactured by Multi Instruments, we can offer a turnkey package.

Simply inform Multi Instruments the type of transmitter, manifold configuration, and your low temperature specification, for a ready-made solution.

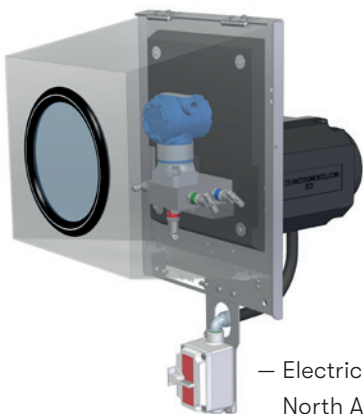
REDUCED POWER CONSUMPTION, IMPROVED COLD WEATHER RELIABILITY

The key to Multi Instruments approach is the use of the industry unique contact heater design. By attaching the heater directly to the manifold, the heat transfer is vastly improved, allowing extreme cold weather reliability with only a 48Watt output.

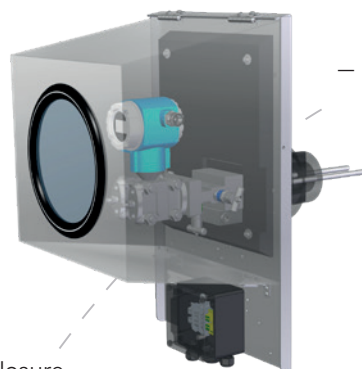
This globally certified heater operates to -60°C (-76°F) ambient with ATEX, CSA(US), and GOST(EAC) certifications and can be installed in any hazardous area.

PS-1 ENCLOSURES DESIGN

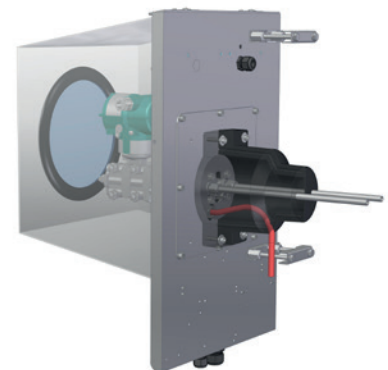
Designed and built for the most rugged service and harshest climates, the PS-1 enclosure uses a stainless steel PUR insulated cover. The optional safety glass window allows for easy viewing of your instrument readout and the top hinge design allows full access to the manifold for maintenance and operation. Equipped with a 48W heater, the PS-1 ensures reliable operation to -60°C (-76°F) ambient.



— Electrical heated Enclosure
North America / Canada style



— Electrical heated Enclosure
Europe, ASIA and EAC regions



— Easy access of process and vent tubing



— Lower your installation costs!

By utilizing Multi Instruments turnkey design and assembly capabilities, costs can be reduced by as much as 30% vs generic “box and space heater” designs.



Headquarters

Multi Instruments Instrumentation B.V.
Edisonweg 22
4207 HG Gorinchem
The Netherlands
instrumentation@multi-instruments.com
+31 (0) 183 62 88 88

multi-instruments.com

North America - Canada

Multi Instruments Inc.
#40, 20 Circle Dr.
St Albert, Alberta
Canada
solutions@multi-instruments.com
+1 (587) 290-0997

multi-instruments.com